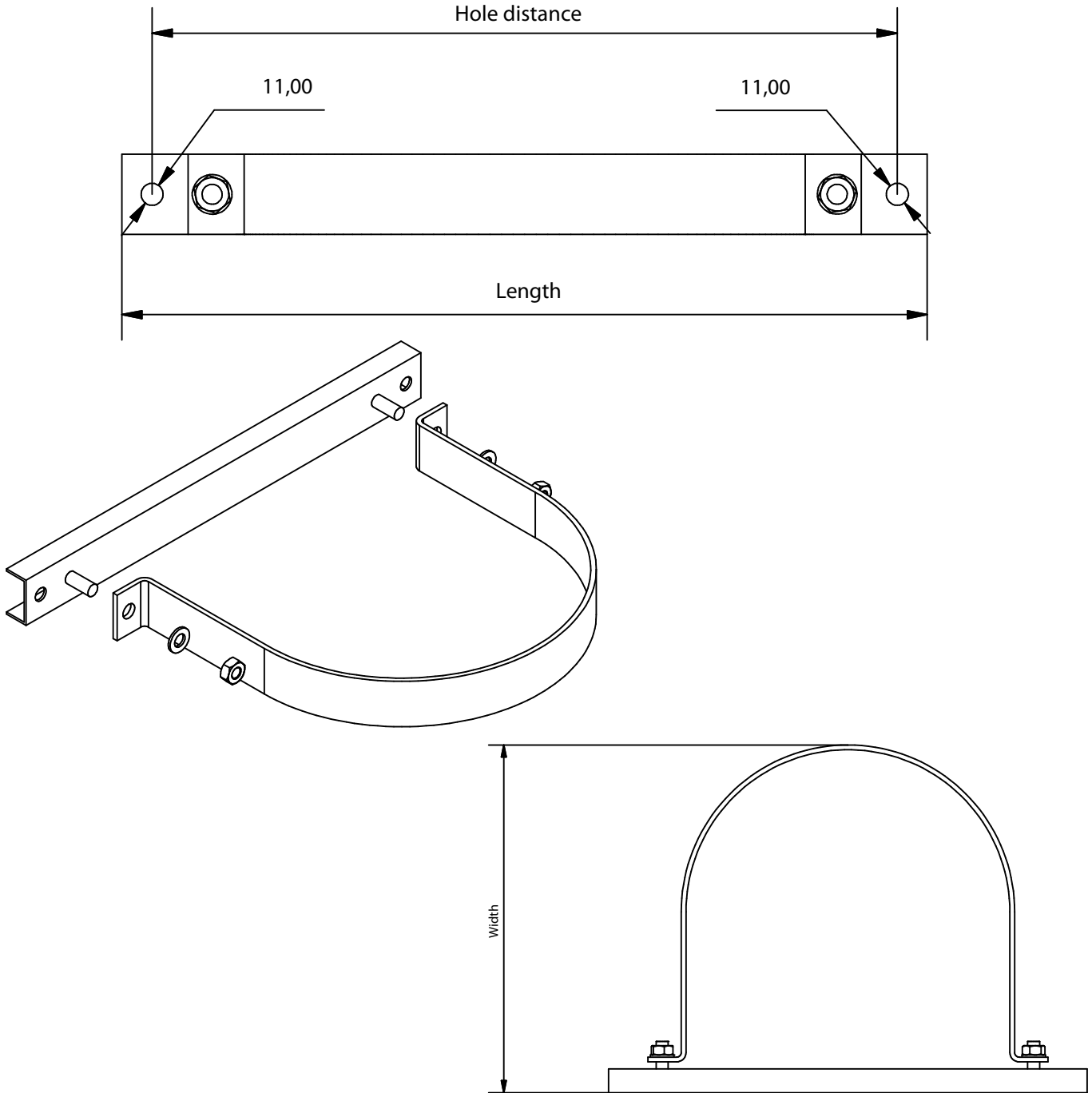


IRONWORK AUTONOMOUS CYLINDER



Specifications	
Name	Value
Finished	Black paint (RAL 9005)

Reference	Capacity (L.)	Length (mm)	Width (mm)	Hole distance (mm)
H402	80	402	292	372
H120	120	536	384	496
H120	140	536	384	496


aguilera
 extinción

 Av. Alfonso Peña Boeuf, 6 y 9
 28022 MADRID - ESPAÑA
 TEL: +34 913121656
 FAX: +34 913295820

DATA SHEET

IRONWORK AUTONOMOUS CYLINDER

Description: Element used to anchor the cylinder to the wall.

Code sheet:	Group sheet:	Reference:	Drawn:	Date:	Revised:	Date:	Review:	Format:
AEX-FTC-61-050	FK-5-1-12	VER TABLA	DCM	27/08/2015	MRC	27/08/2015	1	A4